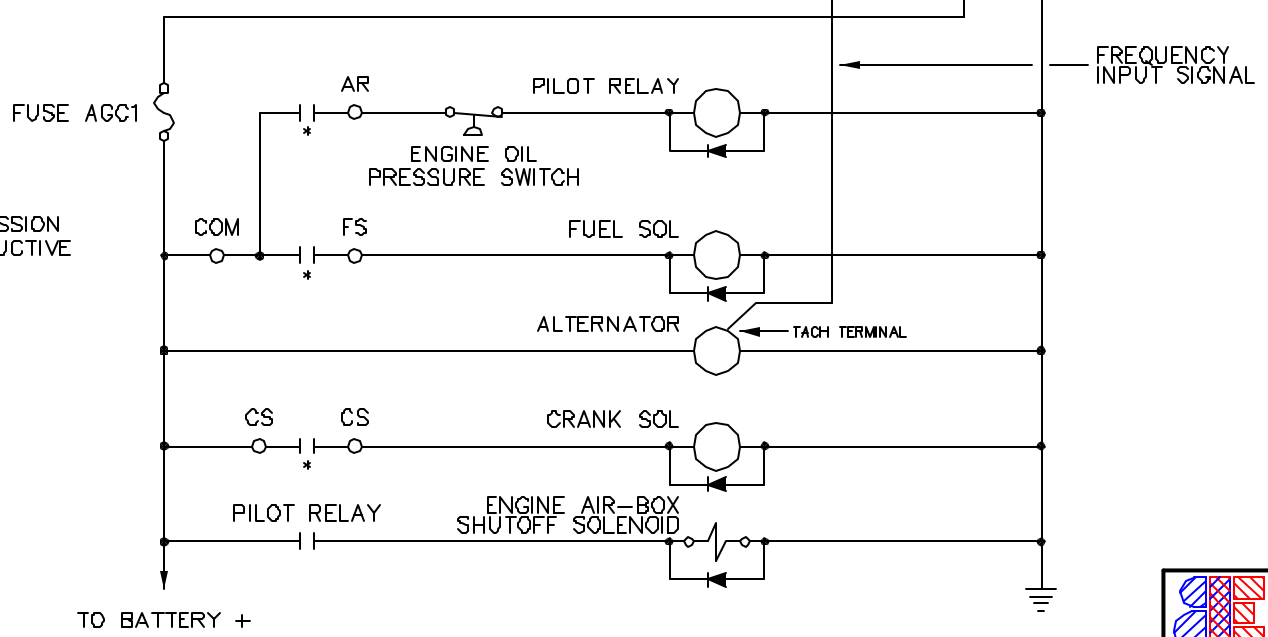
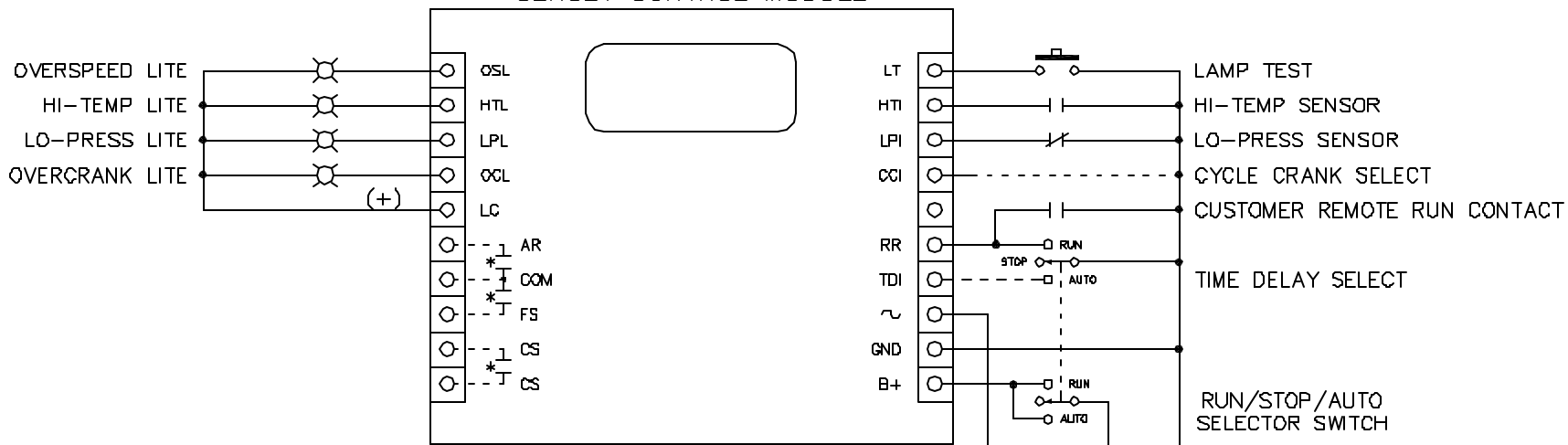


GENSET CONTROL MODULE



FREQUENCY SENSING FROM ALTERNATOR TACH. TERMINAL

**FOR USE WITH  
DETROIT DIESEL  
2-CYCLE ENGINES.**

\* RELAYS AR, FS,  
& CS ARE INSIDE THE  
GENSET CONTROL.

**Bouchette Electronics, Inc.**  
N11325 County Highway Y Clintonville, WI 54929

TITLE CONNECTION DIAGRAM  
A121AM/A241AM CONTROL

|                  |                        |            |               |
|------------------|------------------------|------------|---------------|
| DATE<br>06/06/01 | DWN BY<br>DSB          | CHK<br>TJB | SCALE<br>NONE |
| P/N              | CAD REF<br>MEM A121A90 | DWG NO     | E114-15       |

|     |          |                         |        |
|-----|----------|-------------------------|--------|
| A   | 11/11/03 | ADDED ENGINE OIL SWITCH | DSB    |
| REV | DATE     | DESCRIPTION             | DWN BY |