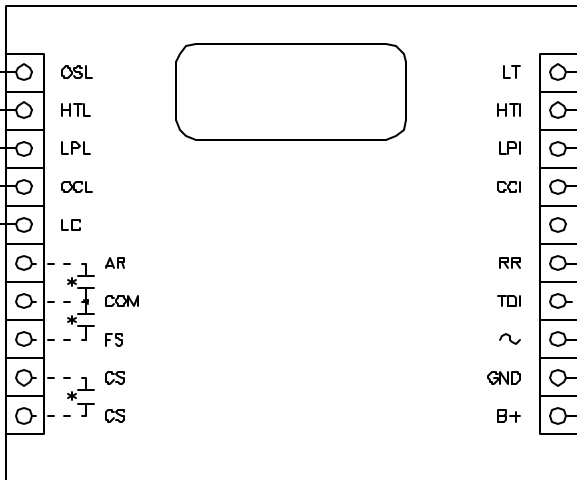
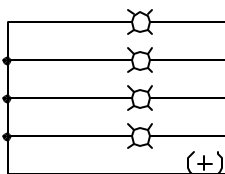
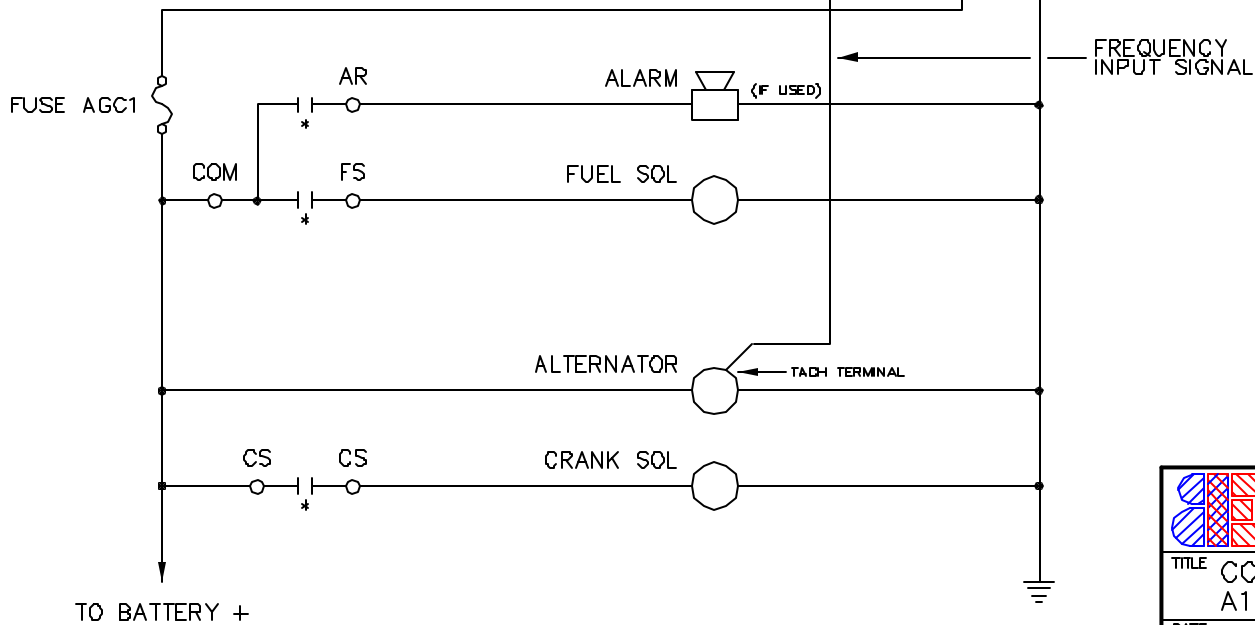


GENSET CONTROL MODULE

OVERSPEED LITE  
 HI-TEMP LITE  
 LO-PRESS LITE  
 OVERCRANK LITE



LAMP TEST  
 HI-TEMP SENSOR  
 LO-PRESS SENSOR  
 CYCLE CRANK SELECT  
 CUSTOMER REMOTE RUN CONTACT  
 TIME DELAY SELECT  
 LOCAL RUN/STOP/AUTO SELECTOR SWITCH



\* RELAYS AR, FS,  
 & CS ARE INSIDE THE  
 GENSET CONTROL.

FREQUENCY SENSING FROM ALTERNATOR TACH. TERMINAL

 **Bouchette Electronics, Inc.**  
 N11325 County Highway Y Clintonville, WI 54929

TITLE CONNECTION DIAGRAM A121A/A241A CONTROL				
DATE 08/21/89	DWN BY DSB	CHK TJB	SCALE NONE	
P/N	CAD REF PCB111	DWG NO E114-2		