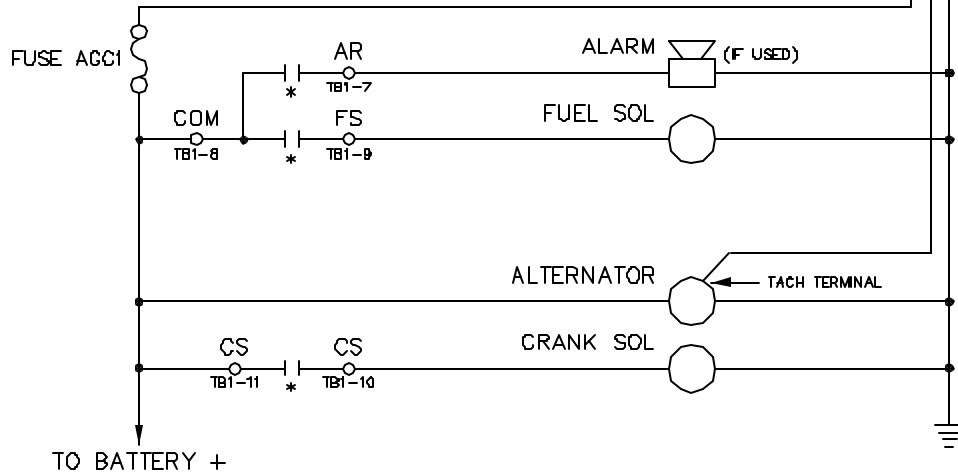
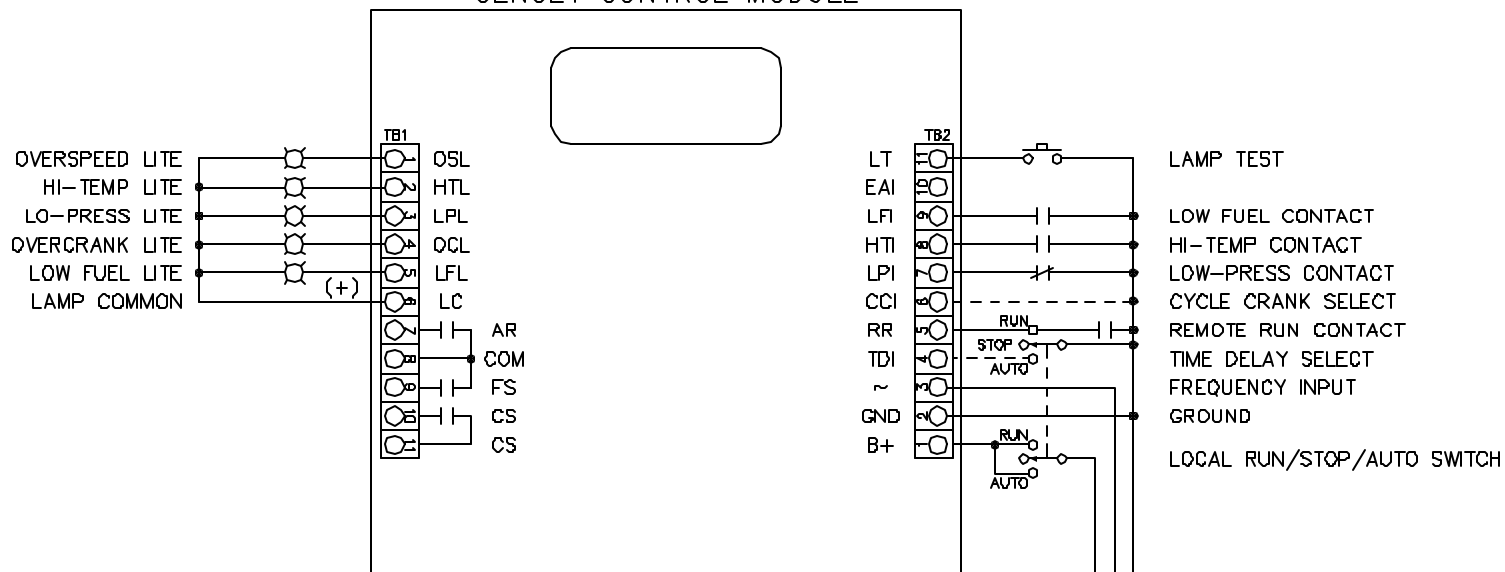


GENSET CONTROL MODULE



* RELAYS FS, CS,
& AR ARE INSIDE
THE GENSET CONTROL

FREQUENCY SENSING FROM ALTERNATOR TACH. TERMINAL

Bouchette Electronics, Inc. N11325 County Highway Y Clintonville, WI 54929			
TITLE CONNECTION DIAGRAM A121C/A241C CONTROL			
DATE 04/11/94	DWN BY DSB	CHK TJB	SCALE NONE
P/N	CAD REF PCB107	DWG NO E151-2	