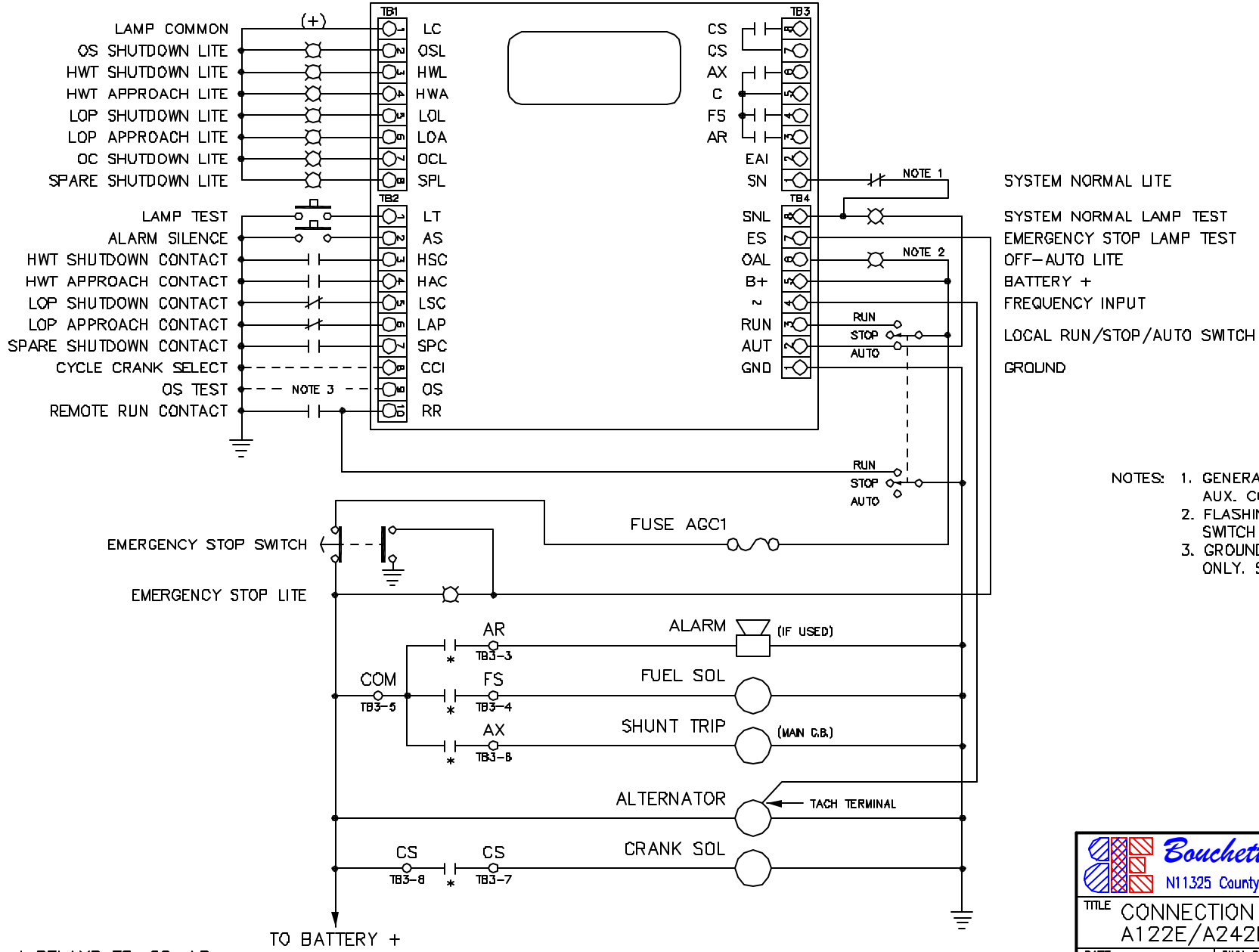


### GENSET CONTROL MODULE



- SYSTEM NORMAL LITE
- SYSTEM NORMAL LAMP TEST
- EMERGENCY STOP LAMP TEST
- OFF-AUTO LITE
- BATTERY +
- FREQUENCY INPUT
- LOCAL RUN/STOP/AUTO SWITCH
- GROUND

- NOTES:
1. GENERATOR LINE CIRCUIT BREAKER AUX. CONTACT (IF USED.)
  2. FLASHING LITE INDICATES WHEN SWITCH IS NOT IN AUTO POSITION.
  3. GROUND FOR OVERSPEED TEST ONLY. SEE OPERATING INSTRUCTIONS.

\* RELAYS FS, CS, AR, & AX ARE INSIDE THE GENSET CONTROL.

FREQUENCY SENSING FROM ALTERNATOR TACH. TERMINAL

<b>Bouchette Electronics, Inc.</b> N11325 County Highway Y Clintonville, WI 54929				
TITLE CONNECTION DIAGRAM A122E/A242E CONTROL				
DATE	DWN BY	CHK	SCALE	
10/08/94	DSB	TJB	NONE	
P/N	CAD REF	DWG NO		
	PCB109			E156-1