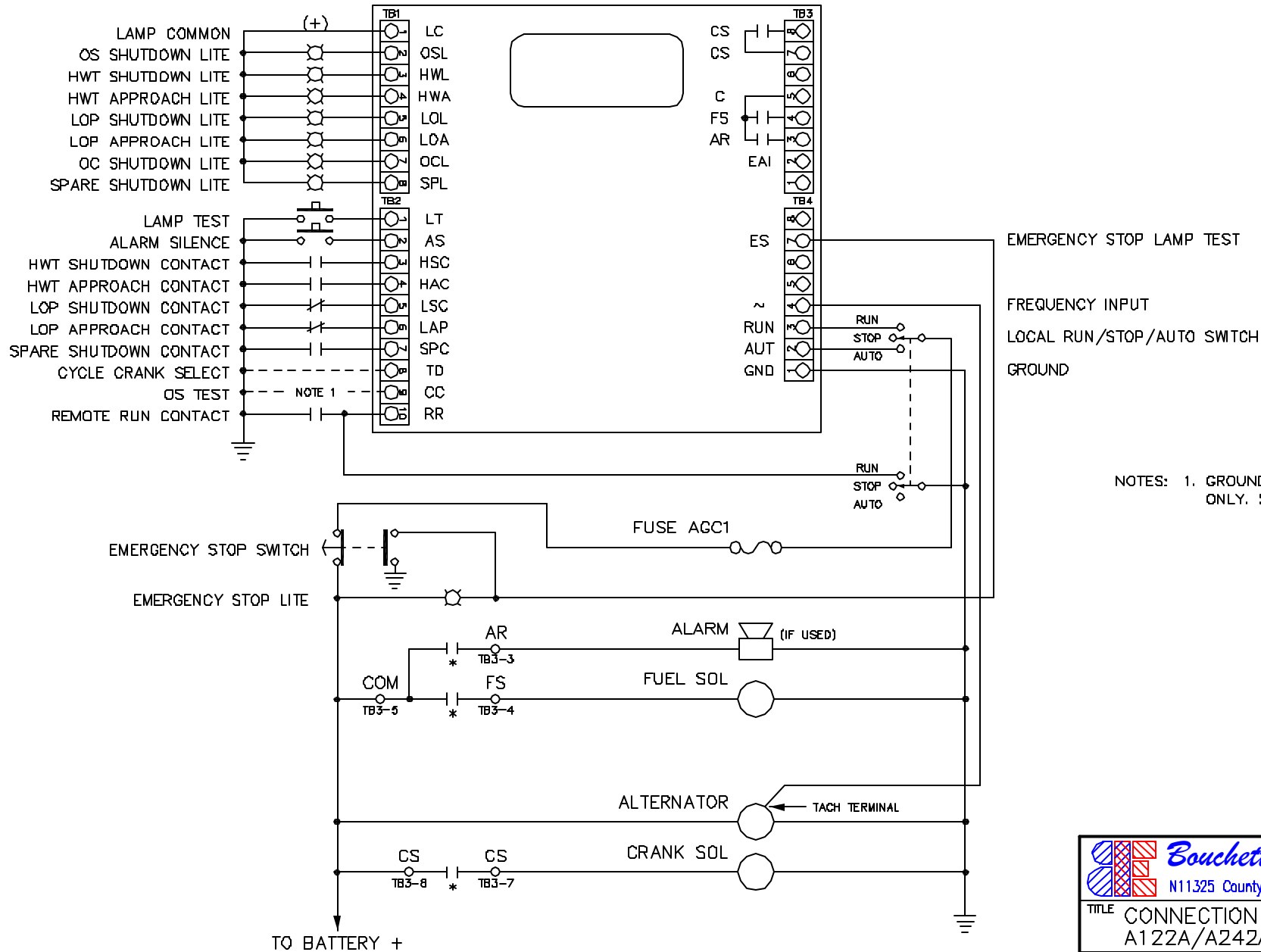


### GENSET CONTROL MODULE



NOTES: 1. GROUND FOR OVERSPEED TEST ONLY. SEE OPERATING INSTRUCTIONS.

\* RELAYS AR, FS, & CS ARE INSIDE THE GENSET CONTROL.

FREQUENCY SENSING FROM ALTERNATOR TACH. TERMINAL

<b>Bouchette Electronics, Inc.</b> N11325 County Highway Y Clintonville, WI 54929			
TITLE CONNECTION DIAGRAM A122A/A242A CONTROL			
DATE 08/23/04	DWN BY DSB	CHK TJB	SCALE NONE
P/N	CAD REF PCB109	DWG NO E164-1	