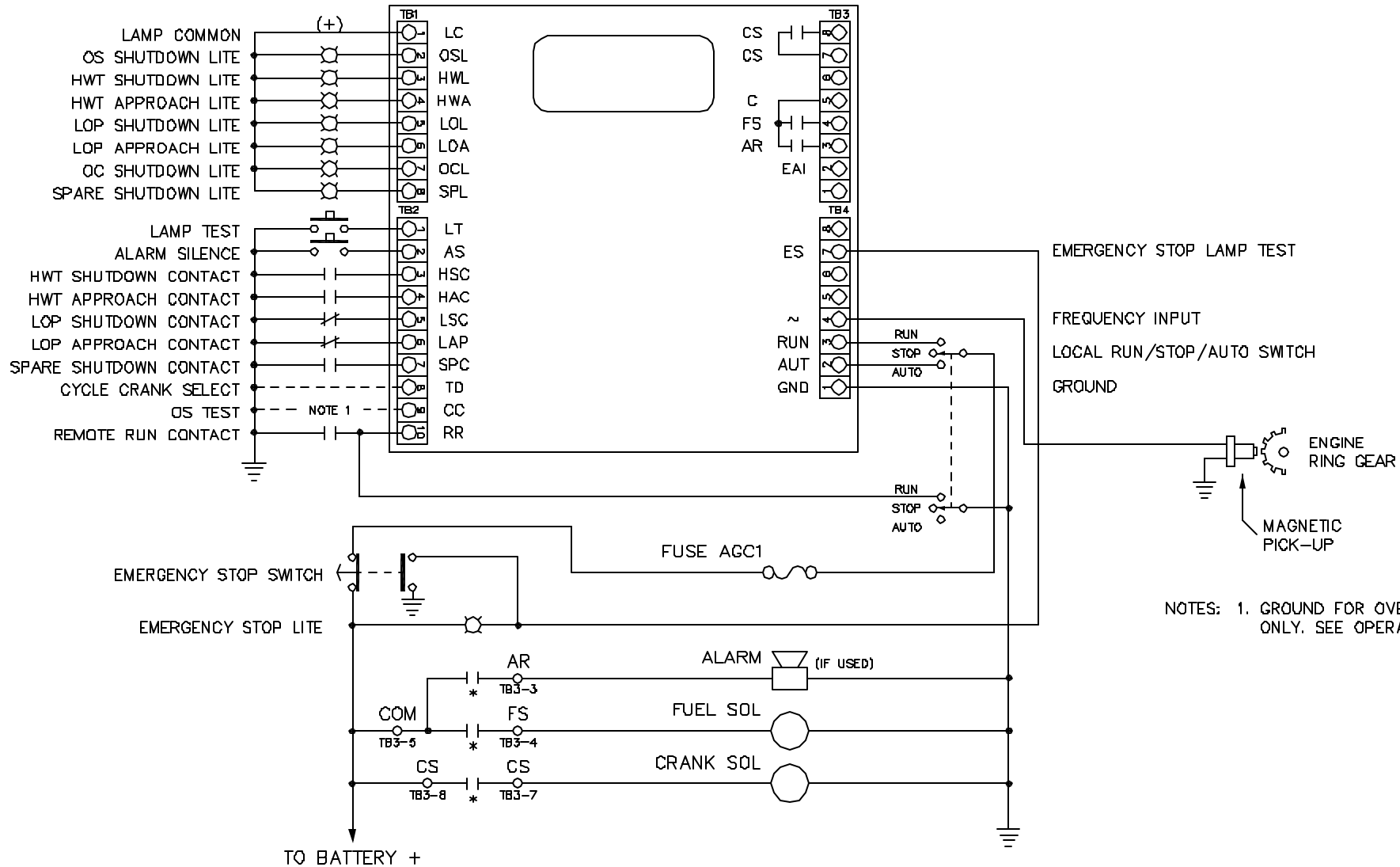


### GENSET CONTROL MODULE



NOTES: 1. GROUND FOR OVERSPEED TEST ONLY. SEE OPERATING INSTRUCTIONS.

\* RELAYS AR, FS, & CS ARE INSIDE THE GENSET CONTROL.

FREQUENCY SENSING FROM MAGNETIC PICK-UP

<b>Bouchette Electronics, Inc.</b> N11325 County Highway Y Clintonville, WI 54929			
<b>TITLE</b> CONNECTION DIAGRAM A122D2/A242D2 CONTROL			
DATE	DWN BY	CHK	SCALE
04/12/95	DSB	TJB	NONE
P/N	CAD REF	DWG NO	
	PCB109		E165-2