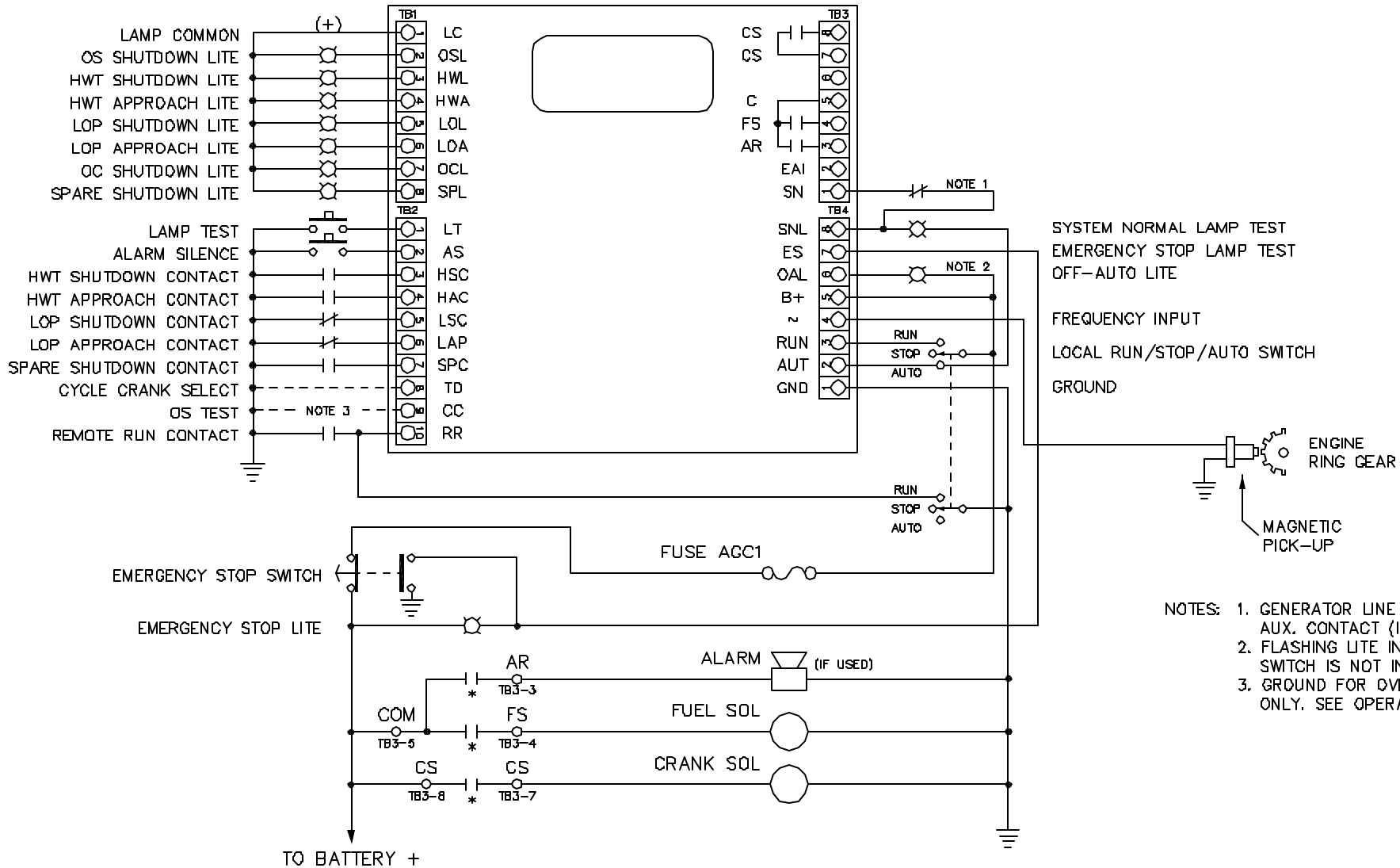


GENSET CONTROL MODULE



- NOTES:
1. GENERATOR LINE CIRCUIT BREAKER AUX. CONTACT (IF USED.)
 2. FLASHING LITE INDICATES WHEN SWITCH IS NOT IN AUTO POSITION.
 3. GROUND FOR OVERSPEED TEST ONLY. SEE OPERATING INSTRUCTIONS.

* RELAYS AR, FS, & CS ARE INSIDE THE GENSET CONTROL.

FREQUENCY SENSING FROM MAGNETIC PICK-UP

Bouchette Electronics, Inc. N11325 County Highway Y Clintonville, WI 54929			
TITLE CONNECTION DIAGRAM A122D_/A242D_ CONTROL			
DATE	DWN BY	CHK	SCALE
04/12/95	DSB	TJB	NONE
P/N	CAD REF	DWS NO	
	PCB109	E165-2	