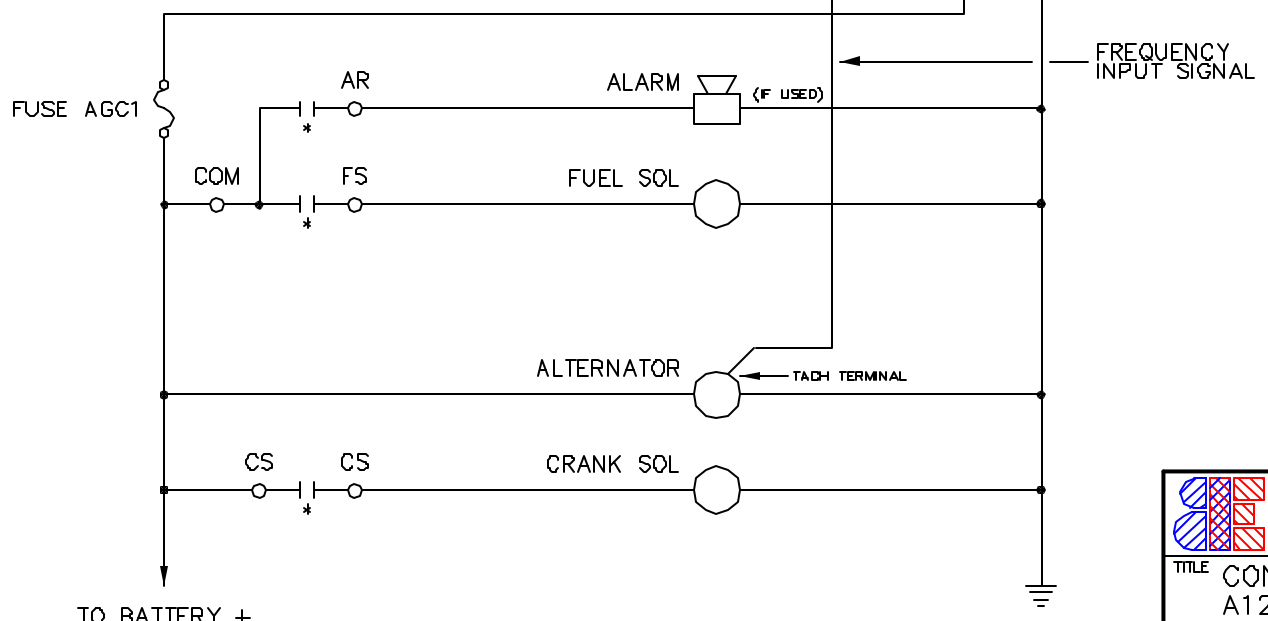
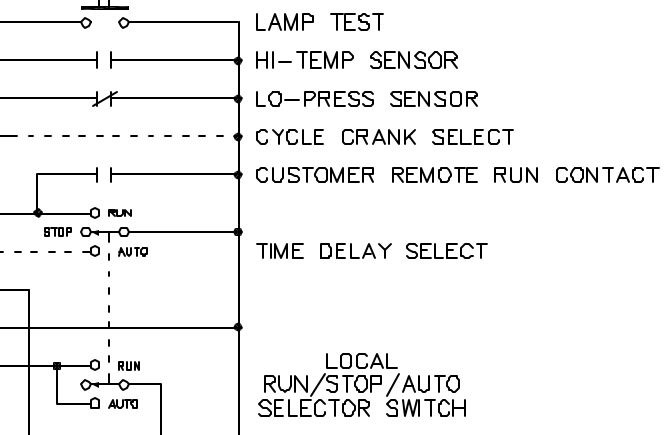
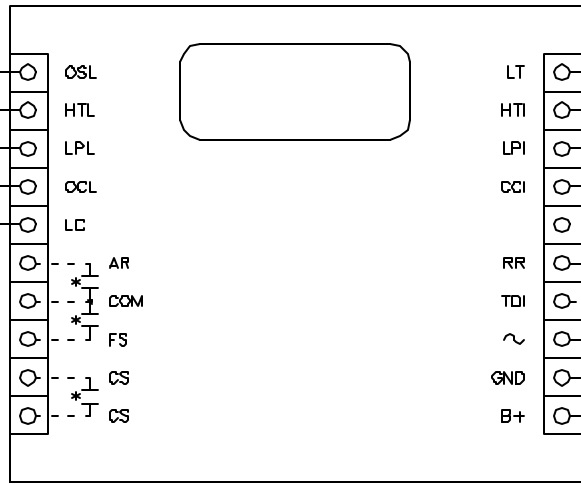
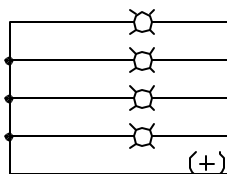


GENSET CONTROL MODULE

OVERSPEED LITE
 HI-TEMP LITE
 LO-PRESS LITE
 OVERCRANK LITE



* RELAYS AR, FS,
 & CS ARE INSIDE THE
 GENSET CONTROL.

TO BATTERY +

FREQUENCY SENSING FROM ALTERNATOR TACH. TERMINAL

N11325 County Highway Y Clintonville, WI 54929			
TITLE CONNECTION DIAGRAM A121AL/A121AX CONTROL			
DATE	DWN BY	CHK	SCALE
11/04/03	DSB	TJB	NONE
P/N	CAD REF	DWG NO	
	PCB111		E225-2