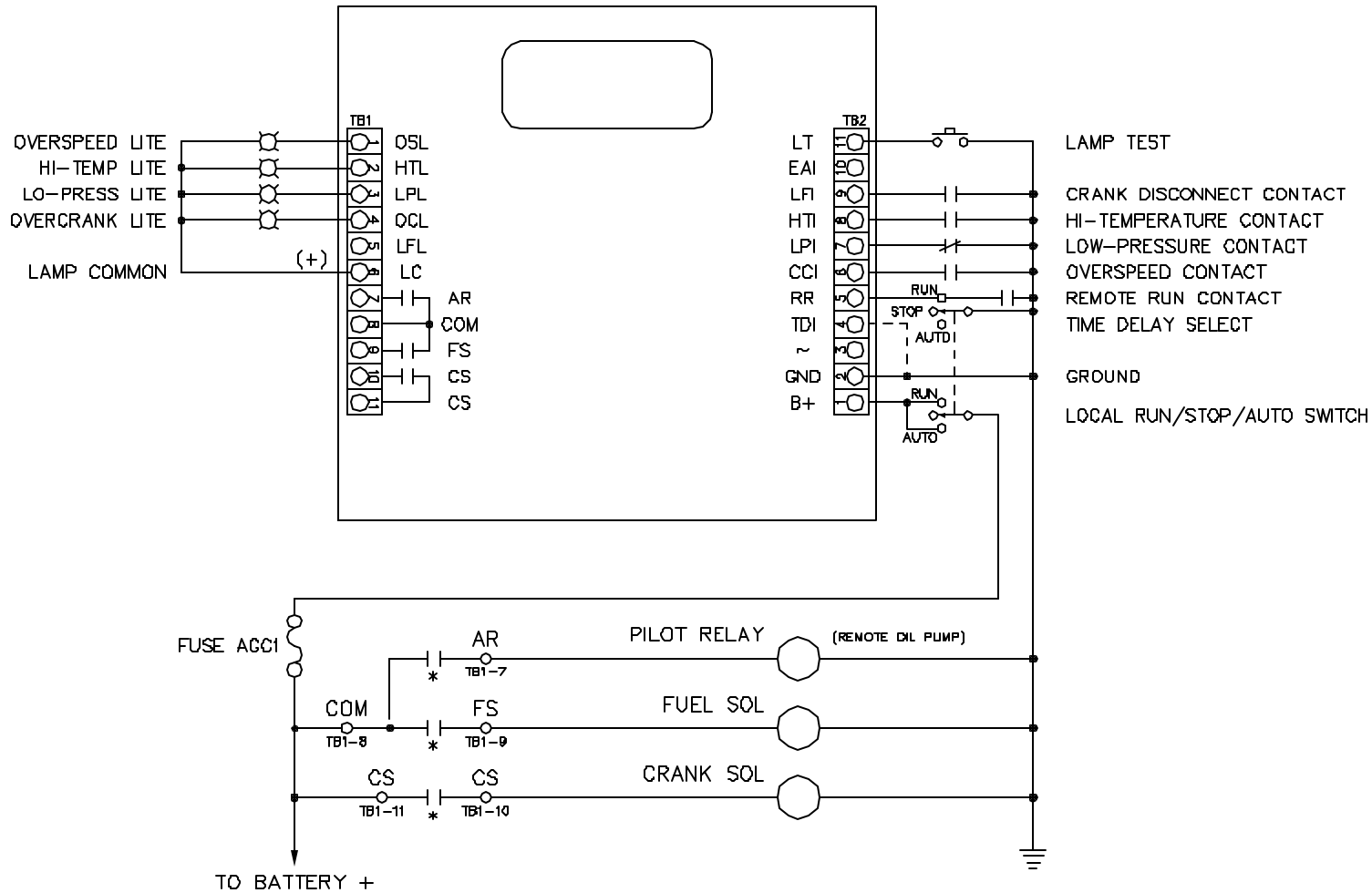


### GENSET CONTROL MODULE



\* RELAYS FS, CS,  
& AR ARE INSIDE  
THE GENSET CONTROL

**NO FREQUENCY SENSING**  
(CRANK DISCONNECT AND OVERSPEED CONTACT INPUTS  
OBTAINED FROM 2-ELEMENT SYNCHRO-START SPEED SWITCH.)

|  |         |        |        |
|--|---------|--------|--------|
| <b>Bouchette Electronics, Inc.</b><br>N11325 County Highway Y Clintonville, WI 54929 |         |        |        |
| <b>TITLE</b> CONNECTION DIAGRAM<br>A121C2M2 / A241C2M2 CONTROL                       |         |        |        |
| DATE   | DWN BY  | CHK    | SCALE  |
| 08/25/04   | DSB     | TJB    | NONE   |
| P/N  | CAD REF | DWG NO |        |
| (v103)   | PCB107  |        | E229-1 |